



Zastava
a r m s



**IMPORTANT!
READ THE
MANUAL
BEFORE USING
THIS VEAPON**

PISTOL CZ 99

OWNERS MANUAL AND SAFETY INSTRUCTION





ZASTAVA ARMS name on the weapon that you now own represents quality, reliability and gunsmith tradition since 1853. Your weapon was made in accordance with strict requirements and standards. Only materials of the highest quality have been used for this type of products and tested by our quality control. This owner's manual is designed to assist you in learning how to use and care for your Zastava Arms® firearm properly. We want you to enjoy and practice safe shooting with your ZASTAVA weapon. You may be an experienced shooter, already familiar with the procedures in this Instruction manual, but we urge you to read this entire Instruction manual carefully. You must follow the safety instructions for your safety and the safety of others.

Digital copy of this manual can be obtained from Zastava Arms USA website.

STATE-BY-STATE WARNINGS

Certain states require, by law, that their own specified warning notices, in larger- -than- normal type be conspicuously included by the manufacturer, distributor, or retail dealer with firearms sold in that state. Zastava Arms sells its products in compliance with applicable laws and regulations. Because our products may be sold in these states, we include the following:

CALIFORNIA WARNING:

“Children are attracted to and can operate firearms that can cause severe injuries or death. Prevent child access by always keeping guns locked away and unloaded when not in use. If you keep a loaded firearm where a child obtains and improperly uses it, you may be fined or sent to prison.”





ADVERTENCIA:

“A los niños atraen las armas de fuego y las pueden hacer funcionar. Ellos pueden causarse lesiones graves y la muerte. Evite que los niños tengan acceso a las armas de fuego guardándolas siempre con llave y descargadas cuando no las esté utilizando. Si usted tiene una arma de fuego cargada en un lugar en que un niño tiene acceso a ella y la usa indebidamente, le pueden dar una multa o enviarlo a la cárcel.”

CONNECTICUT:

“UNLAWFUL STORAGE OF A LOADED FIREARM MAY RESULT IN IMPRISONMENT OR FINE!”

FLORIDA:

“IT IS UNLAWFUL, AND PUNISHABLE BY IMPRISONMENT AND FINE, FOR ANY ADULT TO STORE OR LEAVE A FIREARM IN ANY PLACE WITHIN THE REACH OR EASY ACCESS OF A MINOR UNDER 18 YEARS OF AGE OR TO KNOWINGLY SELL OR OTHERWISE TRANSFER OWNERSHIP OR POSSESSION OF A FIREARM TO A MINOR OR A PERSON OF UNSOUND MIND.”

MAINE:

“ENDANGERING THE WELFARE OF A CHILD IS A CRIME. IF YOU LEAVE A FIREARM AND AMMUNITION WITHIN EASY ACCESS OF A CHILD, YOU MAY BE SUBJECT TO FINE, IMPRISONMENT OR BOTH. KEEP FIREARMS AND AMMUNITION SEPARATE. KEEP FIREARMS AND AMMUNITION LOCKED UP. USE TRIGGER LOCKS.”

MASSACHUSETTS:

*“WARNING FROM THE MASSACHUSETTS ATTORNEY GENERAL:
This handgun is not equipped with a device that fully blocks use by unauthorized users. More than 200,000 firearms like this one are stolen from their owners every year in the United States. In addition, there are more than a thousand suicides each year by younger children and teenagers who get access to firearms. Hundreds more die from accidental discharge. It is likely that many more children sustain serious wounds, or inflict such wounds accidentally on others. In order to limit the chance of such misuse, it is imperative that you keep this weapon locked in a secure place and take other steps necessary to limit the possibility of theft or accident. Failure to take reasonable preventative steps may result in innocent lives being lost, and in some circumstances may result in your liability for these deaths.”*

“IT IS UNLAWFUL TO STORE OR KEEP A FIREARM, RIFLE, SHOTGUN OR MACHINE GUN IN ANY PLACE UNLESS THAT WEAPON IS EQUIPPED WITH A TAMPER RESISTANT SAFETY DEVICE OR IS STORED OR KEPT IN A SECURELY LOCKED CONTAINER.”





MARYLAND:

“WARNING: Children can operate firearms which may cause death or serious injury. It is a crime to store or leave a loaded firearm in any location where an individual knew or should have known that an unsupervised minor would gain access to the firearm. Store your firearm responsibly!”

NEW JERSEY:

“IT IS A CRIMINAL OFFENSE TO LEAVE A LOADED FIREARM WITHIN EASY ACCESS OF A MINOR.”

NEW YORK CITY, NY:

“THE USE OF A LOCKING DEVICE OR SAFETY LOCK IS ONLY ONE ASPECT OF RESPONSIBLE FIREARMS STORAGE. FOR INCREASED SAFETY, FIREARMS SHOULD BE STORED UNLOADED AND LOCKED IN A LOCATION THAT IS BOTH SEPARATE FROM THEIR AMMUNITION AND INACCESSIBLE TO CHILDREN AND OTHER UNAUTHORIZED PERSONS.”

NORTH CAROLINA:

“Any person who resides in the same premises as a minor, owns or possesses a firearm, and stores or leaves the firearm (i) in a condition that the firearm can be discharged and (ii) in a manner that the person knew or should have known that an unsupervised minor would be able to gain access to the firearm, is guilty of a Class 1 misdemeanor if a minor gains access to the firearm without the lawful permission of the minor’s parents or a person having charge of the minor and the minor:

- (1) Possesses it in violation of G.S. 14-269.2(b)*
- (2) Exhibits it in a public place in a careless, angry, or threatening manner;*
- (3) Causes personal injury or death with it not in self defense; or*
- (4) Uses it in the commission of a crime.!”*

TEXAS:

“IT IS UNLAWFUL TO STORE, TRANSPORT, OR ABANDON AN UNSECURED FIREARM IN A PLACE WHERE CHILDREN ARE LIKELY TO BE AND CAN OBTAIN ACCESS TO THE FIREARM.”

WISCONSIN:

“IF YOU LEAVE A LOADED FIREARM WITHIN THE REACH OR EASY ACCESS OF A CHILD YOU MAY BE FINED OR IMPRISONED OR BOTH IF THE CHILD IMPROPERLY DISCHARGES, POSSESSES, OR EXHIBITS THE FIREARM.”

Please check with your licensed retailer, state police, or local police for additional warnings, which may be required by local law or regulation. Such regulations change constantly, and local authorities are in the best position to advise you on such legal matters.



SECTION 1

PRECAUTIONS

READ CAREFULLY THE FOLLOWING PRECAUTIONS BEFORE TAKING THIS FIREARM OUT OF ITS PACKAGE.

This product is classified as a firearm or dangerous weapon; it is, therefore, potentially lethal!

WARNING: IF THIS FIREARM IS CARELESSLY OR IMPROPERLY HANDLED, UNINTENTIONAL DISCHARGE COULD RESULT AND COULD CAUSE INJURY, DEATH, OR DAMAGE TO PROPERTY.

CAUTION: READ CAREFULLY THIS INSTRUCTION MANUAL WHICH GIVES BASIC ADVICE ON THE PROPER HANDLING AND FUNCTIONING OF THIS FIREARM PRIOR TO LOADING AND FIRING. However, your safety and safety of the others (including your family) depends on your compliance with that advice, and your adoption, development and constant employment of safe practice. If unfamiliar with firearms, seek further advice through safe handling courses run by your local gun clubs or similar qualified organizations.

NOTICE - DISCLAIMER OF LIABILITY

The manufacturer shall not be responsible for injury, death, or damage to property resulting from either intentional or accidental discharge of this firearm, or from its function when used for purposes or subjected to treatment for which it was not designed. The manufacturer also will not honor claims involving this firearm which result from careless or improper handling, unauthorized adjustment or parts replacement, corrosion, neglect, or the use of wrong caliber ammunition, or the use of ammunition other than original high quality commercially manufactured ammunition in good condition, or any combination thereof. Besides, the manufacturer will not honor claims involving this firearm for any reason or cause when such claims are made by the second or subsequent owner.

IMPORTANT

Before it left the factory this firearm was tested, carefully inspected and packaged. The manufacturer cannot control product handling after it leaves the factory, therefore, please examine this firearm carefully at the time of purchase to insure that it is unloaded and undamaged. The dealer will be pleased to assist you in making this examination and endeavor to answer your further questions. This instruction manual should always accompany this firearm and be transferred with it upon change of ownership.



SECTION 2

MAIN FEATURES

9 mm Parabellum ZASTAVA 99 pistol is a semi automatic handgun which operates on the barrel short recoil principle. Locking is achieved by vertical oscillation of the barrel which enters a hole in the slide and is held together with the slide at the firing stage. Trigger mechanism is double action (DA/SA). Magazine is double row type with capacity of 15 rounds. Operating controls of the pistol make it possible to handle it with either right or left hand — ambidextrous. One single control lever retains the slide in rear — open position, lowers the slide from rear into forward position, and decocks the hammer. Sights are square with tritium tubes for aiming at low visibility. Its specific feature is a chambered round indicator, located on the slide, for visual or tactile check.

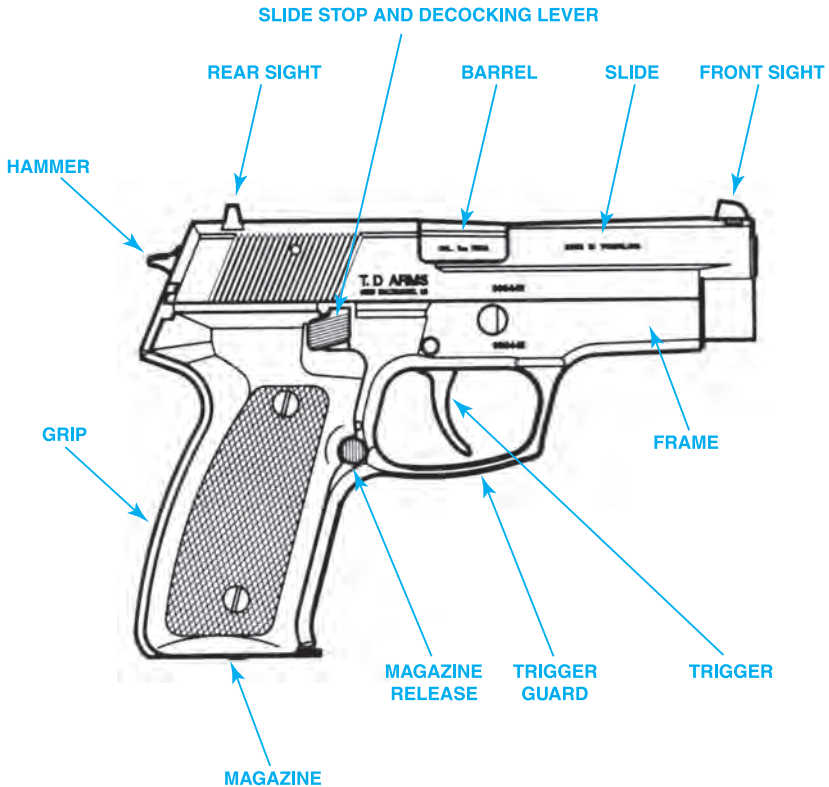


Fig. 1 RIGHT SIDE VIEW





Caliber	9x19 parabelum,9x21, 40S&W
Barrel length	108 mm — chrome plated
Length	190 mm
Height	140 mm
Thickness	37 mm
Weight without magazine	860 g
Weight of empty magazine	105 g
Weight with empty magazine	965 g
Weight with loaded magazine	1.145 g
Magazine capacity	15 rds (9x19 and 9x21) 11 rds (40 S&W)
Trigger pull:	DA 5,5 daN SA 2,0 daN
Trigger travel:	DA 14 mm SA 5 mm
Surface finish colour	at customer's request

SLIDE STOP AND DECOCKING LEVER

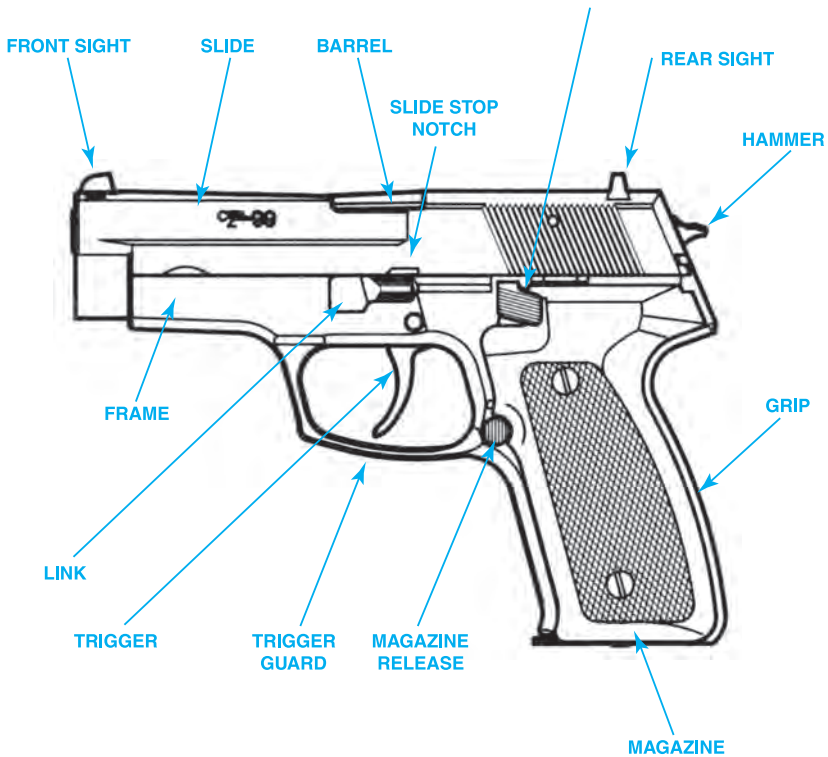


Fig. 2 **LEFT SIDE VIEW**





SECTION 3

SAFETY INSTRUCTIONS

We want you to enjoy safely shooting with your ZASTAVA 99 pistol. You may be an experienced safe shooter already familiar with the procedures in this instruction manual, or you may never have handled a gun before. Either way, we urge you to read this entire instruction manual carefully. You must follow the safety instructions for your safety and the safety of others.

WARNING: ALWAYS CARRY YOUR PISTOL EMPTY IN ORDER TO AVOID THE RISK OF ACCIDENTAL DISCHARGE.

SAFETY MEASURES

- 1. ALWAYS HANDLE YOUR PISTOL AS IF IT WERE LOADED** so that you never fire it accidentally when you think it is unloaded.
- 2. NEVER POINT YOUR PISTOL AT ANYTHING YOU DO NOT INTEND TO SHOOT** so that if it fires accidentally, injury, death or damage to property will be prevented.
- 3. NEVER TAKE ANYONE'S WORD THAT A GUN IS UNLOADED**, check it for yourself with fingers off the trigger and gun pointed in a safe direction, so that you never fire gun accidentally when you think it is unloaded.
- 4. ALWAYS KEEP AND CARRY YOUR PISTOL EMPTY, WITH THE HAMMER FORWARD EXCEPT WHEN YOU INTEND TO SHOOT SO THAT THE PISTOL CANNOT BE FIRED WHEN YOU DO NOT MEAN TO FIRE IT.**
- 5. NEVER DRINK ALCOHOLIC BEVERAGES OR TAKE DRUGS BEFORE OR DURING SHOOTING**, as your vision and judgment could be seriously impaired making your gun handling unsafe.
- 6. ALWAYS SEEK A DOCTOR'S ADVICE IF YOU ARE TAKING MEDICATION**, to be sure you are fit to shoot and handle your pistol safely.
- 7. ALWAYS USE ONLY CLEAN, DRY, ORIGINAL HIGH QUALITY COMMERCIALY MANUFACTURED AMMUNITION IN GOOD CONDITION WHICH IS APPROPRIATE TO THE CALIBER OF YOUR PISTOL. GUN AND AMMUNITION MANUFACTURERS DESIGN THEIR PRODUCTS WITHIN EXACTING ENGINEERING SAFETY LIMITS. HANDLOADS ARE SOMETIMES OUTSIDE THOSE LIMITS AND CAN BE UNSAFE.**
- 8. ALWAYS BE SURE BARREL BORE AND CHAMBER ARE CLEAN AND CLEAR OF OBSTRUCTIONS.** Clean a fouled pistol immediately so that it will function correctly and safely.





9. ALWAYS WEAR AND ENCOURAGE OTHERS TO WEAR EAR PROTECTION WHEN SHOOTING, especially on a range. Without ear protection the noise from your pistol and other guns close to you, could leave a »ringing« in the ears for some time after firing, while the cumulative long term effect could be permanent hearing loss.

10. ALWAYS WEAR AND ENCOURAGE OTHERS TO WEAR PROTECTIVE SHOOTING GLASSES.

11. ALWAYS PUT A KNOWLEDGEABLE AND RESPONSIBLE PERSON IN CHARGE TO MAINTAIN SAFETY CONTROL WHEN A GROUP IS FIRING ON A RANGE. Obey his commands so that discipline is maintained to reduce the likelihood of accidents.

12. ALWAYS BE SURE YOUR BACKSTOP IS ADEQUATE TO STOP AND CONTAIN BULLETS BEFORE BEGINNING TARGET PRACTICE SO THAT YOU DO NOT HIT ANYTHING OUTSIDE THE RANGE SHOOTING AREA.

13. ALWAYS BE ABSOLUTELY SURE OF YOUR TARGET AND THE AREA BEHIND IT BEFORE YOU SQUEEZE THE TRIGGER. A bullet could travel through or past your target up to 2.500 meters (1,5 miles) ... if in doubt, do not shoot.

14. NEVER SHOOT AT A HARD SURFACE SUCH AS ROCK, OR A LIQUID SURFACE SUCH AS WATER. A bullet may ricochet and travel in any direction to strike you, or an object you cannot see, causing injury, death or damage to property.

15. NEVER FIRE YOUR PISTOL NEAR AN ANIMAL UNLESS IT IS TRAINED TO ACCEPT THE NOISE; an animal's startled reaction could injure it or cause an accident.

16. NEVER USE YOUR PISTOL IF IT FAILS TO FUNCTION PROPERLY, AND NEVER FORCE A JAMMED ACTION, AS A ROUND MAY EXPLODE CAUSING SERIOUS INJURY, POSSIBLE DEATH, OR SEVERE DAMAGE TO YOUR PISTOL.

17. ALWAYS HOLD THE PISTOL BY THE GRIP, AND BOTH HANDS BELOW THE SLIDE SINCE THEY COULD BE BURNT BY HOT METAL OR INJURED BY THE SLIDE MOVING FORWARD.

18. NEVER SQUEEZE THE TRIGGER OR PUT YOUR FINGER IN THE TRIGGER GUARD UNTIL YOU ARE AIMING AT A TARGET AND READY TO SHOOT. This will prevent you firing the pistol when it is pointing in an unsafe direction.

19. IN CASE OF MISFIRE: keep holding the pistol pointed toward the target or a safe open area and wait 30 seconds when the pistol fails to fire. If hangfire (slow ignition) has occurred, round will fire within 30 seconds. If round does not fire, remove magazine, eject round, and examine primer; if firing pin indent on primer is light, off center, or non-existent, have pistol examined by a competent gunsmith. If firing pin indent on primer appears normal (in





comparison with similar previously fired rounds) assume faulty ammunition, segregate misfired round from other live ammunition and empty cases, reload and carry on firing.

20. NEVER LEAVE YOUR PISTOL COCKED READY TO FIRE, SINCE THIS POSITION IS EXTREMELY DANGEROUS BECAUSE OF RISK OF ACCIDENTAL DISCHARGE CAUSING SERIOUS INJURY, DEATH OR DAMAGE TO PROPERTY.

21. ALWAYS CARRY YOUR PISTOL EMPTY WITH MAGAZINE REMOVED WHILE ON A RANGE UNTIL PREPARING TO FIRE, KEEP IT POINTING TOWARDS THE BACKSTOP WHEN LOADING, FIRING AND UNLOADING, TO ELIMINATE THE RISK OF INJURY, DEATH OR DAMAGE TO PROPERTY.

22. NEVER LEAVE A LOADED PISTOL UNATTENDED. Someone, especially a child may fire it and cause injury, death or damage to property.

23. NEVER INDULGE IN "HORSEPLAY" WHILE HOLDING YOUR PISTOL AS IT MAY BE ACCIDENTALLY DISCHARGED.

24. ALWAYS INSTRUCT CHILDREN TO RESPECT FIREARMS. If you teach your children to shoot, teach them to treat and use the pistol properly, and always supervise them closely. Always stress safety so that your children will not fire the pistol when it is unsafe to do so.

25. NEVER WALK, CLIMB OR FOLLOW A COMPANION WITH YOUR PISTOL COCKED READY TO FIRE, OUT OF ITS HOLSTER, OR WITH HAMMER IN ANY POSITION OTHER THAN FORWARD ON AN EMPTY CHAMBER, TO ELIMINATE RISK OF ACCIDENTAL DISCHARGE.

Always hold your pistol so that you can control the direction of the muzzle.

26. ALWAYS MAKE SURE YOUR PISTOL IS NOT LOADED BEFORE CLEANING, STORING OR TRAVELLING, MAGAZINE REMOVED FROM THE PISTOL, BEFORE YOU STORE IT OR TRANSFER IT TO SOMEBODY ELSE SO THAT IT CANNOT FIRE ACCIDENTALLY.

27. ALWAYS KEEP AND STORE YOUR PISTOL AND AMMUNITION IN SEPARATE LOCKED RECEPTACLES OUT OF REACH AND SIGHT OF CHILDREN AND UNTRAINED PEOPLE, TO MINIMIZE THE RISK OF PISTOL AND AMMUNITION BEING EASILY AVAILABLE FOR LOADING AND FIRING.





SAFETY FEATURES

ZASTAVA double action, semi-automatic pistols incorporate several positive safety devices, which, if properly employed, can minimize the danger of accidental firing. These safety devices are described on the following pages.

Trigger Guard

The Trigger Guard is a metal loop around the trigger to protect it from damage and to help prevent accidental discharge.

Safety Stop on Hammer

The Safety Stop is a flat, shelf-like surface on the hammer which functions as an automatic fail-safe device. It will engage the sear in the unlikely event of primary sear notch failure. This will prevent the hammer from falling fully forward unintentionally and will insure against uncontrolled automatic fire. It also prevents the hammer from striking the firing pin should your hand slip from the slide or hammer while cocking the pistol, provided the hammer is rotated past the Safety Stop.

The Safety Stop is not a manual safety and should not be engaged by hand other than by the decocking lever.

Decocking Lever

Correct use of the decocking lever minimizes the risk of accidental discharge through mishandling by allowing the hammer to be decocked without touching the trigger. The decocking lever is ambidextrous, and can be activated either by the left or right hand — the shooting hand. The decocking lever drops the hammer from the cocked position to the safety stop position without the trigger being squeezed. Thus, the firing pin remains locked throughout the decocking function. With the hammer cocked, and fingers clear of the trigger, pushing the decocking lever down momentarily disengages the sear and leaves the hook of the hammer resting against the decocking lever. Releasing the decocking lever allows the hammer to move forward, and the sear to move back into contact with the hammer before the decocking lever trips out of engagement with the hook of the hammer. The hammer falls forward to be caught by the sear in the safety stop position.

CAUTION: ALWAYS POINT PISTOL IN A SAFE DIRECTION AND KEEP FINGERS CLEAR OF THE TRIGGER WHEN OPERATING THE DECOCKING LEVER TO LOWER THE HAMMER.

This will avoid accidental injury in the unlikely event of discharge.



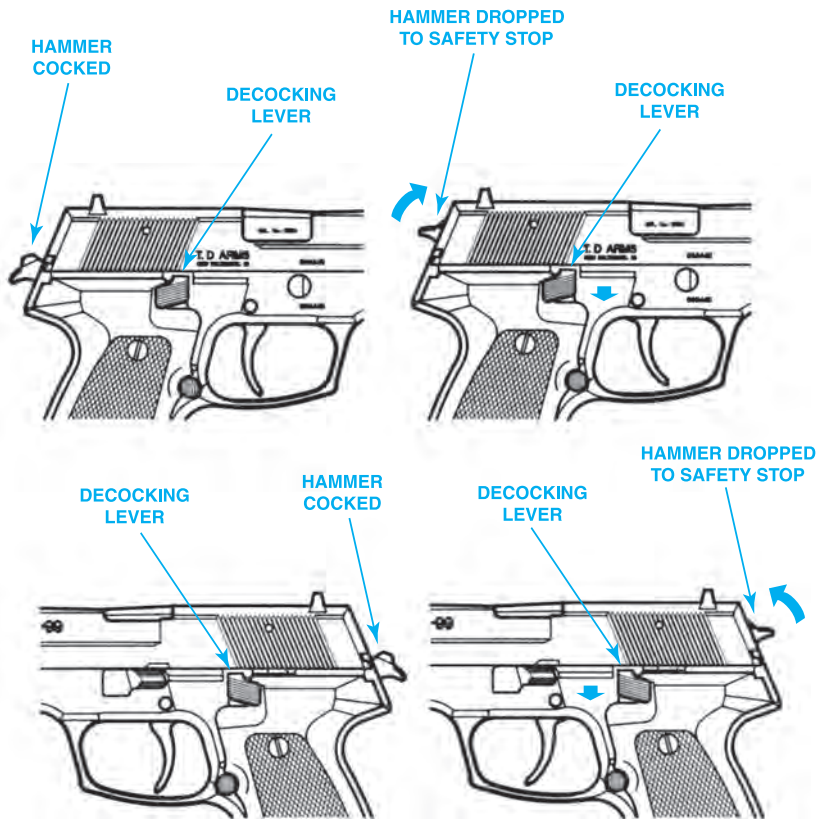


Fig. 3 **DECOCKING LEVER**

Disconnect Function of the Trigger Lever

This safety device prevents a round being fired before it is in the chamber with the slide and the barrel locked. The disconnecter is part of the trigger lever. When the slide is not fully forward the disconnecter is depressed by the underside of the slide. This keeps the catch on the end of the trigger lever from engaging the sear so that the hammer cannot be released if the trigger is squeezed.





However, when the slide and barrel are locked, a recess in the slide is aligned so that the disconnect moves up by force of the trigger lever spring. This allows the catch on the end of the trigger lever to engage the sear so that the pistol can be fired by squeezing the trigger.

CAUTION: NEVER ATTEMPT TO CHECK OR DEMONSTRATE THE DISCONNECTOR FUNCTION WITH A LOADED PISTOL.

Pushing on the muzzle with your hand or any other portion of the body is extremely dangerous and could result in accidental discharge causing injury, death, or damage to property.

Inertia Firing pin

The Firing Pin, which is shorter than its housing, is held to the rear by a spring and cannot protrude through face of slide unless a hammer blow overcomes the spring force and the inertia of the pin.

Firing Pin Lock

The Firing Pin Lock engages the firing pin to prevent its movement until the trigger is squeezed. Housed in the slide, the Firing Pin Lock is spring loaded down into engagement with the firing pin to prevent it striking the cartridge primer. Squeezing the trigger moves the trigger lever forward. Catch on the trigger lever rotates a lever to disengage the Firing Pin Lock before the sear releases the hammer to strike the firing pin and discharge the pistol. This safety device minimizes the risk of accidental discharge through mishandling such as when a loaded pistol is dropped or receives a blow to the muzzle.

IMPORTANT: These safety devices are designed and installed in this pistol to prevent accidental discharge. Of course, this pistol is designed primarily to discharge bullets, and it will do this efficiently when it is loaded and you squeeze the trigger. Always expect the gun to fire when you squeeze the trigger.





SECTION 4

FUNCTION

ZASTAVA 99, double action, semi-automatic pistol is ready to fire when a loaded magazine is inserted into the pistol, the slide pulled back to cock the hammer, and released to travel forward and feed a round from the magazine into the chamber. Final forward slide movement locks the barrel and slide together and deactivates the disconnector function of the trigger lever. The pistol may now be fired, single action, simply by squeezing the trigger lightly to release the hammer. Or, if the hammer is forward (decocked), the pistol may be fired just by squeezing the trigger firmly in double action. Squeezing the trigger moves the trigger lever forward so that the trigger lever lug engages the hook on the underside of the hammer. Movement of the lug against the hammer hook causes the hammer to rotate to the cocked position. Near the end of trigger movement, the trigger lever lug acts on the plunger lever to unlock the firing pin, while also pushing the sear clear of the hammer. Final trigger movement cams the trigger lever lug out of engagement with the hammer hook to release the hammer. The hammer pivots forward under force of the mainspring to strike the primer in the base of the cartridge. The energy imparted to the primer ignites the primer compound which in turn ignites the main powder charge which, in burning, rapidly generates extremely high gas pressure to drive the bullet down the barrel. Rifling grooves in the barrel impart stabilizing spin to the bullet so that it will follow an accurate path to the target. Force rearward on the slide breech face starts the slide and barrel on their rearward travel; however, the slide unlocks from the barrel only after gas pressure is reduced to a safe level. Rearward slide travel depresses the trigger lever, carries the spent cartridge rearward on the extractor until the base of the cartridge strikes the ejector and is propelled through the ejection port. Slide movement continues under momentum to fully cock the hammer. If the last round in the magazine has been fired, the magazine follower will activate the slide stop to hold the slide to the rear, but if a round remains in the magazine, the slide will move forward to feed and lock the next round in the chamber. The trigger must be released and squeezed again to fire the next round. When the trigger is squeezed, the lug on the trigger lever acts on the plunger lever to disengage the firing pin lock. The lug on the trigger lever also acts on the sear such that final trigger movement disengages the sear from the hammer to fire the pistol again. At the end of any firing cycle when the hammer remains cocked, the decocking lever may be used to drop the hammer forward onto the safety stop without squeezing the trigger and without firing another round. This leaves the pistol ready to fire again in double action.





LOADING

To Load A Magazine:

1. CAUTION: READ SAFETY INSTRUCTIONS (SECTION 3).

2. Use only ammunition recommended in this instruction manual as suitable for your pistol. Examine the ammunition, particularly on and around the primer. Look for dents, scratches, and other signs of damage. Do not load damaged ammunition.

3. With open end uppermost, grasp magazine in one hand. Place a round on magazine follower with base just forward of retaining lips (see Figure). Press round down and back until base of round touches rear flat edge of magazine. Place next round on top of previous round and press down and back. Repeat until magazine is loaded, but do NOT exceed its capacity. For magazine capacity, see Section 2 — Main Features.

CAUTION: TO MINIMIZE RISK OF UNINTENTIONAL DISCHARGE, LOAD LIVE AMMUNITION INTO PISTOL ONLY WHEN YOU ARE ABOUT TO SHOOT.

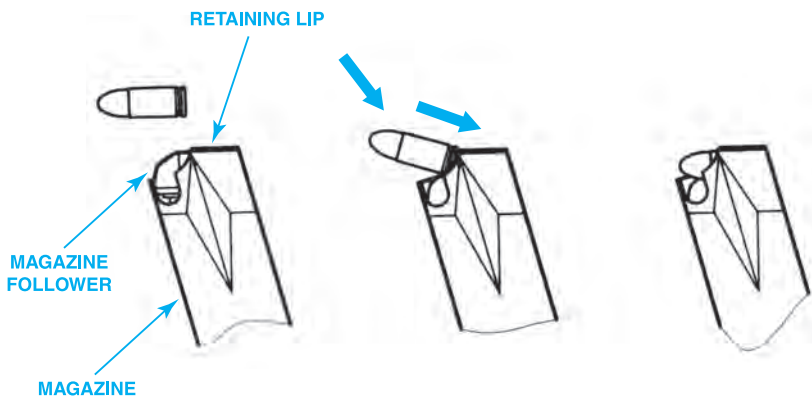


Fig. 4 **LOADING MAGAZINE**





To Load The Pistol:

1. CAUTION: READ SAFETY INSTRUCTIONS (SECTION 3) — KEEP PISTOL POINTING IN SAFE DIRECTION AND DO NOT TOUCH THE TRIGGER.

2. Remove empty magazine from pistol by placing your hand under magazine to prevent it from falling and pressing magazine catch (located on both sides of pistol behind trigger guard) to release and eject magazine from magazine well. (See Figure).

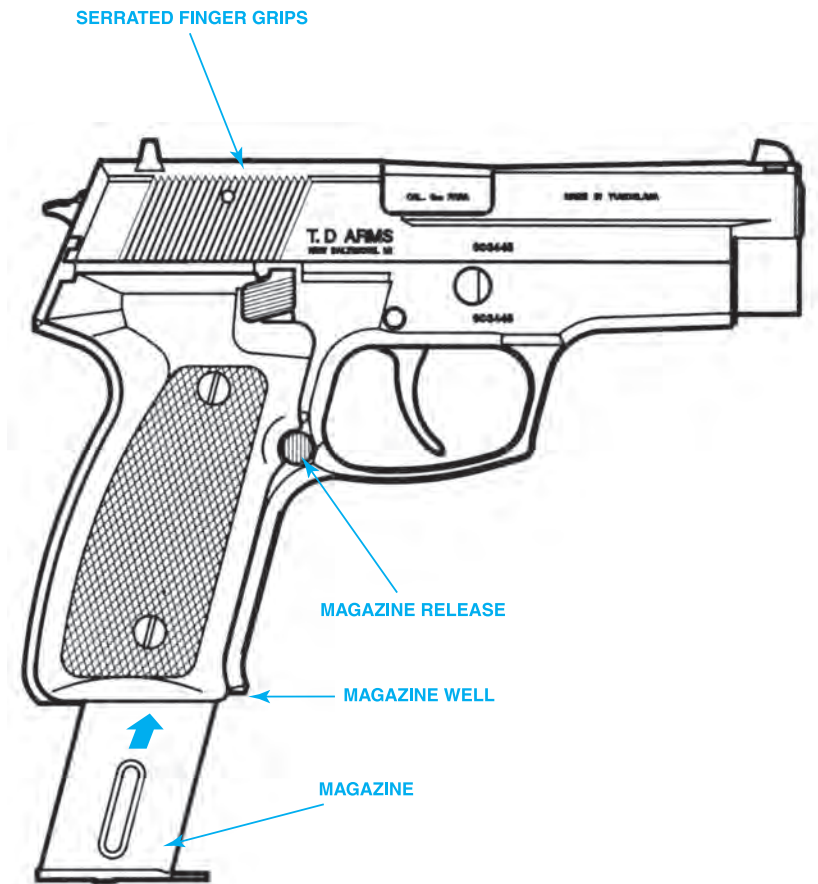


Fig. 5 **MAGAZINE PARTIALLY INSERTED**





3. Hold pistol by stock with one hand and, keeping other hand clear of ejection port, grasp serrated finger grips on both sides of slide. Pull slide back slightly and **LOOK IN CHAMBER TO ENSURE IT IS EMPTY**, allow slide to return forward. (If slide was fully to rear release cocked hammer by pushing decocking lever down while keeping fingers clear of trigger).

4. Insert loaded magazine into magazine well with bullets pointing forward. Push magazine fully home until magazine catch is heard to »click« locking it in place.

IMPORTANT: Do not strike base of magazine to drive it home — just push it firmly into pistol. Otherwise, you could damage magazine and injure your hand.

5. When you are ready to shoot, grip the slide as described in Step 3 and pull it firmly rearward to cock the hammer. Release the slide to feed a round from the magazine into the chamber. **THE PISTOL IS NOW LOADED, COCKED AND READY TO FIRE IN SINGLE ACTION BY SQUEEZING THE TRIGGER LIGHTLY.**

6. If you do not fire immediately in single action, then press down on the decocking lever to drop the hammer forward for safety and to be ready to fire in double action. **THE PISTOL IS NOW LOADED, DECOCKED AND READY TO FIRE IN DOUBLE ACTION BY SQUEEZING THE TRIGGER FIRMLY.**

CAUTION: NEVER LEAVE PISTOL COCKED AND READY TO FIRE (as in Step 5) as this condition is extremely dangerous; pistol could easily be accidentally discharged, causing injury, death, or damage to property.

CARRYING MODES

This pistol may be carried in any one of the following modes according to your needs:

MODE 1 — MAGAZINE EMPTY, CHAMBER EMPTY

- Pistol cannot be discharged
- Use mode 1 for storage, transporting, cleaning, repair, demonstrating and dry practice.

MODE 2 — MAGAZINE LOADED, CHAMBER EMPTY HAMMER DOWN.

- Pistol cannot be fired until the slide is cycled and the trigger is squeezed lightly in single action.
- Use Mode 2 when **CARRYING THE PISTOL READY FOR USE.**





MODE 3 — MAGAZINE LOADED, CHAMBER LOADED HAMMER DOWN (DECOCKED).

- Pistol can be fired when trigger is squeezed firmly in double action.
- **Use Mode 3 when CARRYING THE PISTOL FOR IMMEDIATE USE.**

WARNING: WHEN YOU SQUEEZE THE TRIGGER, YOU MUST EXPECT THE GUN TO FIRE, AND YOU MUST TAKE FULL RESPONSIBILITY FOR FIRING IT. YOUR CARE CAN AVOID ACCIDENTAL DISCHARGE, AND YOU WILL THEREBY AVOID ACCIDENTAL INJURY OR DEATH.

UNLOADING

CAUTION: ALWAYS UNLOAD YOUR PISTOL IMMEDIATELY AFTER USE AND BEFORE CLEANING AND STORAGE TO MINIMIZE THE RISK OF ACCIDENTAL DISCHARGE.

To Unload:

1. Be sure you are familiar with Safety Instructions in Section 3. Keep pistol pointing in a safe direction, do not touch trigger and always keep hands away from muzzle and ejection port.
2. Place hand under magazine to prevent it falling and press magazine catch to release and eject magazine. Note: If slide is fully rearward, Step 3 does not apply.
3. Using serrated finger grips pull slide sharply rearward to extract and eject a round from the chamber. Keep your hands clear of the ejection port to allow round to eject without obstruction. Examine previously chambered round for dents or other damage and dispose of it as explained in Paragraph 7.

4. CAUTION: LOOK IN THE CHAMBER TO ENSURE IT IS EMPTY AND SEE THAT MAGAZINE HAS BEEN REMOVED.

5. Keep pistol pointing in a safe direction, allow slide to return forward on empty chamber and squeeze the trigger to allow hammer to fall forward. (If slide is held to rear by the slide stop, pull slide back slightly, then release it.). Squeezing the trigger instead of using the decocking lever in this step makes doubly sure that the chamber is empty.
6. Remove remaining live rounds by sliding them forward out of the magazine.





7. Collect undamaged live ammunition for safe storage and future use. Collect spent cartridge cases for disposal. Segregate misfired and damaged live ammunition for disposal according to ammunition manufacturer's instructions.

FIRING

Before firing your pistol, practice your stance, aim, rhythm and breathing for steady aim, with your pistol UNLOADED.

Practice firing on a range before using your pistol for any other type of shooting.

CAUTIONS:

1. ALWAYS WEAR AND ENCOURAGE OTHERS TO WEAR EAR PROTECTION WHEN SHOOTING, ESPECIALLY ON A RANGE.

Without ear protection, the noise from your pistol and other guns close to you could leave a »ringing« in the ears for some time after firing, while the cumulative long term effect could be permanent hearing loss.

2. ALWAYS WEAR AND ENCOURAGE OTHERS TO WEAR PROTECTIVE SHOOTING GLASSES. Flying particles could damage eyes and cause blindness, but protective shooting glasses should prevent such injury.

NOTE: If hammer is forward (decocked), pistol may be fired double action by squeezing the trigger firmly. It may also be fired single action by first cocking the hammer fully rearward with your thumb before squeezing the trigger lightly.

To Fire:

1. Be sure you are familiar with »Safety Instructions« in Section

KEEP PISTOL POINTING IN SAFE DIRECTION.

2. Load pistol as previously described.

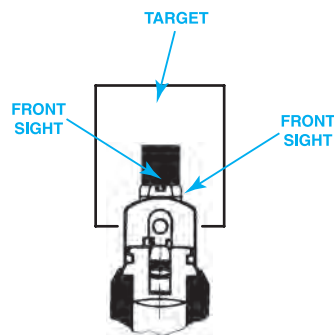


Fig. 6 AIMING





3. Grasp pistol by stock and, with index finger resting along the outside of trigger guard, take aim. Aim by aligning target with front and rear sights. (See Figure).

4. Note: Single action trigger pull is much lighter than double action pull.

5. Keeping steady aim, place index finger on trigger and squeeze gently until hammer falls. Don't jerk the trigger as you will disturb your aim and spoil your accuracy. To fire the second and subsequent rounds, all that is necessary is to release the trigger and squeeze it again lightly after every shot until you have completed firing.

6. This is a semi-automatic pistol and is immediately loaded and cocked ready to fire again in single action after each shot until the magazine is empty.

7. Release trigger, remove index finger from trigger. Push down on the decocking lever and release it. This will decock the hammer without having to squeeze the trigger. However, if you have fired the last round from the magazine, the slide will stay to the rear, ready for magazines to be changed.

CAUTION: IF PISTOL FAILS TO FIRE, HOLD IT, KEEPING IT POINTED TOWARD THE TARGET OR SAFE OPEN AREA AND WAIT 30 SECONDS.

If a hangfire (slow ignition) has occurred, round will fire within 30 seconds. If round does not fire, remove magazine, eject round and examine primer. If firing pin indent on primer is light, off center or non-existent, have pistol examined by a competent gunsmith. If firing pin on primer appears normal (in comparison with similar previously fired rounds) assume faulty ammunition, segregate misfired round from other live ammunition and empty cases; reload and carry on firing.

Note: Dispose of misfired rounds in accordance with the ammunition manufacturer's instructions.

8 CAUTION: KEEP PISTOL POINTING IN A SAFE DIRECTION.

Unload as previously described.

IMPORTANT: If you cock your pistol but do not fire it, use decocking lever to lower hammer. If you lose the opportunity to fire, unload your pistol as previously described. Remember, if a round is in the chamber there is a risk of accidental discharge.

CAUTION: NEVER LEAVE PISTOL COCKED READY TO FIRE as the fire condition is extremely dangerous, and pistol could easily be accidentally discharged causing injury, death, or damage to property





SECTION 5

MAINTENANCE

Like any other precision mechanism, your pistol will function better, last longer, and remain safer when it is properly maintained. Follow the advice in this Section to keep your pistol in peak competitive conditions.

CAUTIONS: Before stripping and cleaning make sure that the pistol is not loaded.

WARNING: Do not strip your pistol if you suspect a major defect and when additional expert servicing and repairs are necessary.

WHEN TO CLEAN: You should clean your pistol as soon after firing as possible so that the job will be easier and there will be less opportunity for corrosion to start. When your pistol has not been fired, clean it periodically, every three months, or once a month if storing conditions are unfavorable.

HOW TO CLEAN: The following cleaning procedure may be used both periodically and after firing.

MATERIALS: Cleaning rod, lubrication brush, cotton flannel patches (cut to fit snugly into the bore), lubrication oil and gun cleaning solution to eliminate powder deposits.

NOTE: If ambient temperature is below 0°C (32° F) avoid the use of lubrication oil; instead, apply a dry lubricant sparingly.

CLEANING PROCEDURE

1. **CAUTION:** Ensure that the pistol is not loaded.
2. Strip for cleaning as described in this instruction manual.
3. The brush dipped into gun cleaning solution pass through the barrel several times to eliminate powder deposits.
4. With the same brush clean the grooves on the slide, frame, slide interior and top surface of the insert in frame.
5. Attach cotton flannel patch to end of cleaning rod and pass it through the barrel several times to eliminate dirt and powder deposits. Change the patches until the last patch comes out clean.
6. With cotton flannel patches clean external surfaces of the barrel, slide interior and top part of the frame.
7. After cleaning, lubricate the barrel and parts with oil.





STRIPPING FOR CLEANING

1. To remove magazine press magazine release button with the right or left hand thumb (see Figure). The magazine will fall out of the pistol after releasing so it must be held with the other hand to remove it from the pistol.

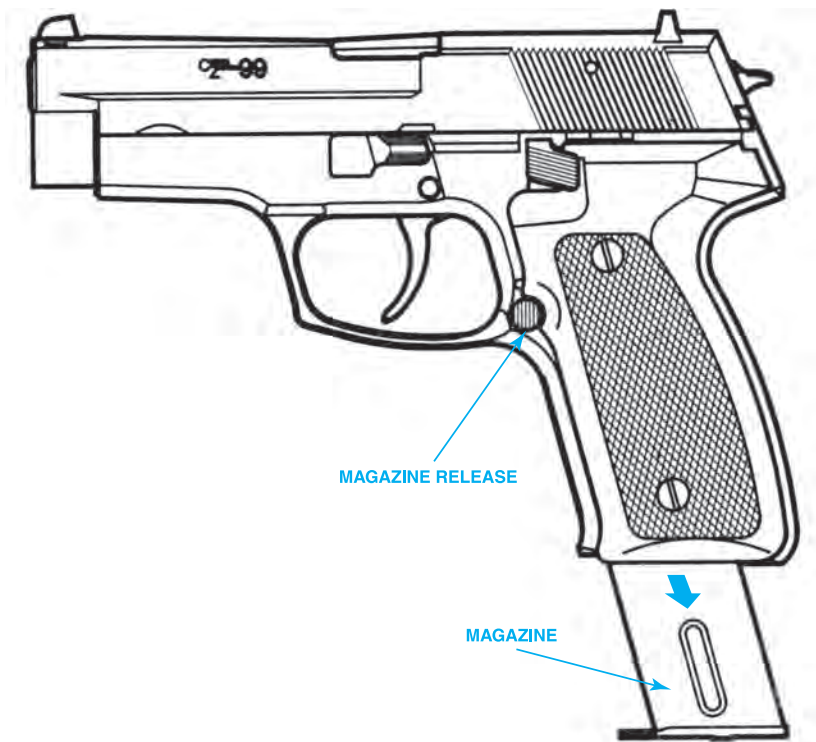


Fig. 7 **TAKING MAGAZINE OUT**

2. Pull slide back to retain it in rear position with left hand while holding the grip with right hand. When the slide is brought into rear position, with the thumb of the hand holding the grip lift the slide stop. The slide will now remain in rear position (see Figure).

3. Swivel barrel link by 90° (downward —see Figure) to release the barrel, now the slide can be separated from the frame.

22



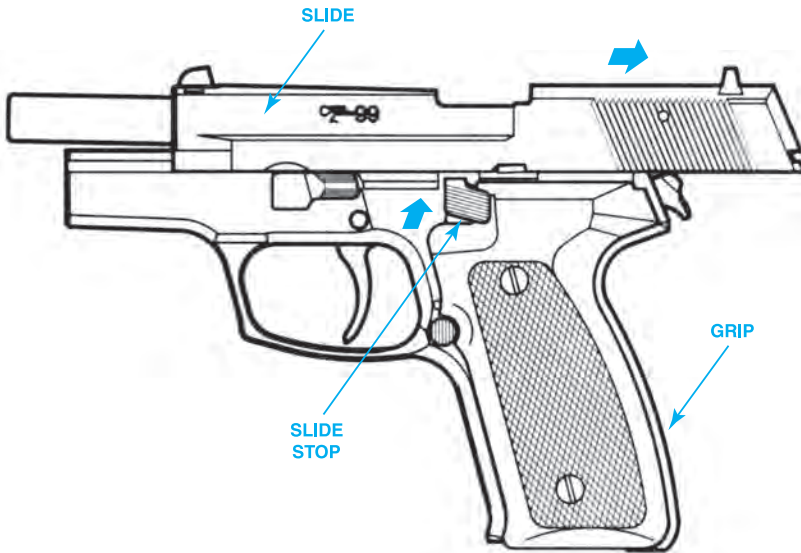


Fig. 8 BRINGING SLIDE INTO REAR POSITION

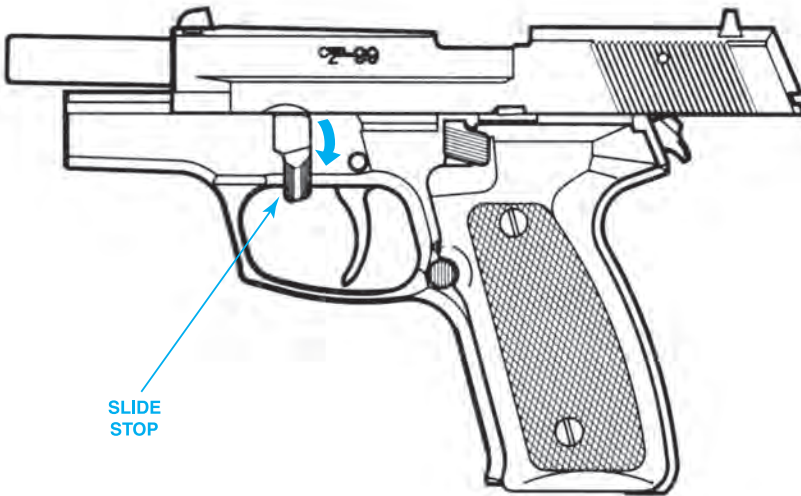


Fig. 9 SWIVELLING BARREL LINK





4. To separate slide, barrel and recoil spring from the frame depress the slide stop with the thumb of the hand holding the grip (see Figure). Hold the slide and the parts in it and move them forward to separate from the frame.

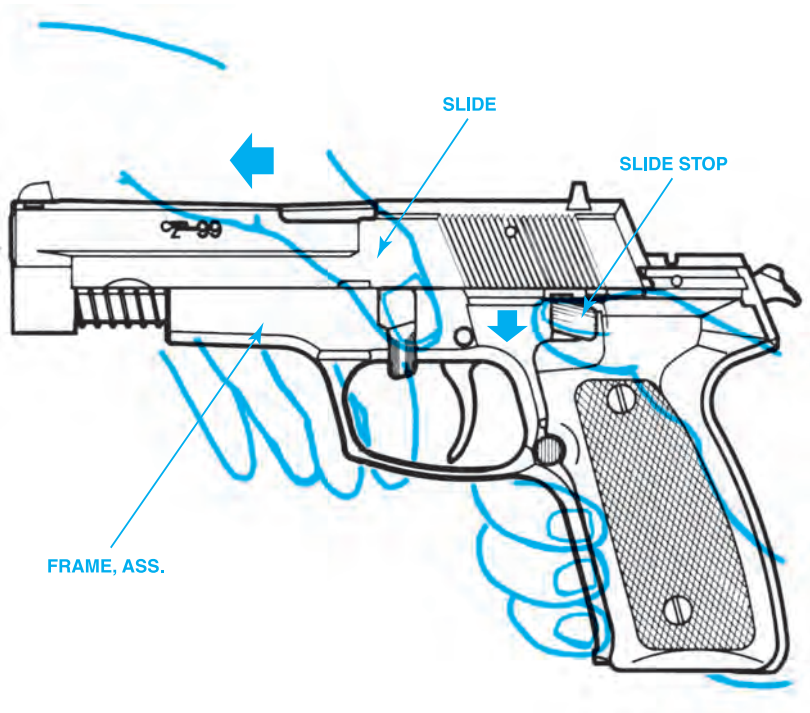


Fig. 10 **SEPARATING SLIDE FROM FRAME**



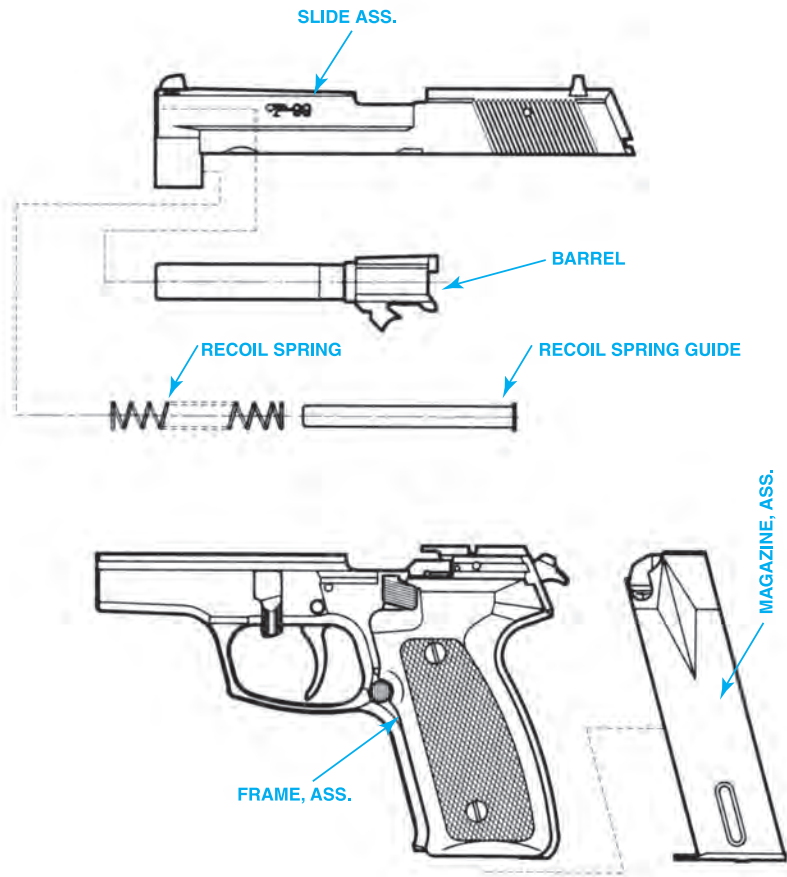


Fig. 11 **FIELD STRIP BREAKDOWN**

ASSEMBLING

Assembling is to be done by the opposite sequence.

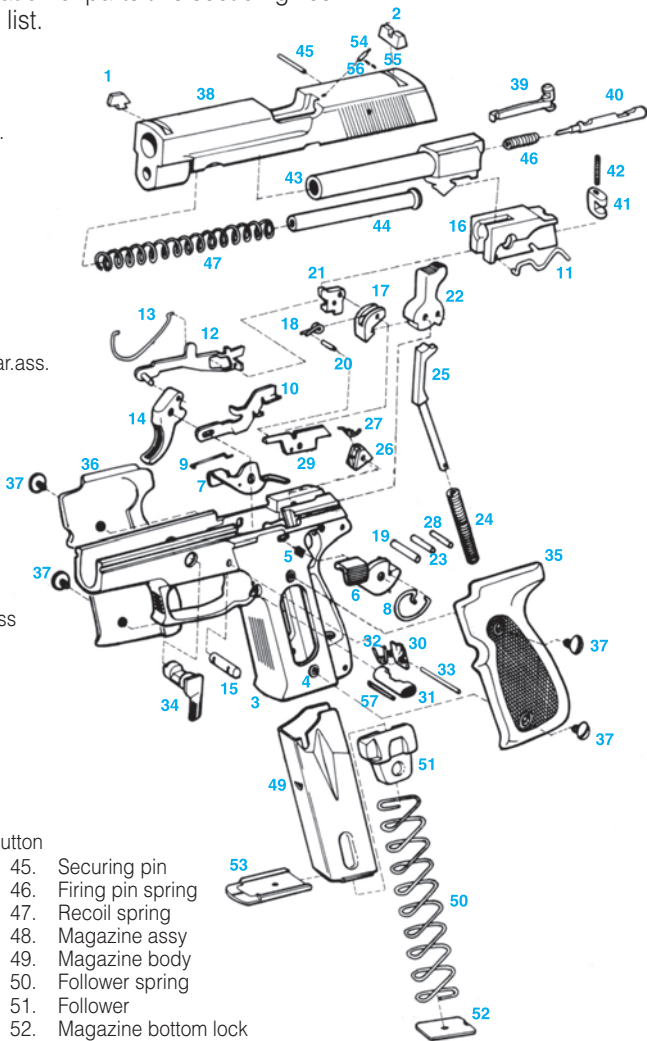


SECTION 6

PARTS ILLUSTRATION AND LIST

For proper identification of parts this section gives parts illustration and list.

1. Front sight
2. Rear sight
3. Frame, insepar. ass.
4. Nut
5. Lever holder
6. L.H. lever
7. R.H. lever
8. L.H. lever spring
9. R.H. lever spring
10. Slide stop
11. Slide stop spring
12. Trigger lever, insepar.ass.
13. Lever spring
14. Trigger
15. Trigger axle
16. Insert
17. Sear
18. Sear spring
19. Sear axle
20. Limiting shaft
21. Firing lever
22. Hammer, insepar. ass
23. Hammer axle
24. Hammer spring
25. Spring guide
26. Hammer rest
27. Spring
28. Axle
29. Ejector
30. Magazine catch
31. Magazine release button
32. Spring
33. Axle
34. Barrel link
35. L.H. cover
36. R.H. cover
37. Screw
38. Slide
39. Extractor
40. Firing pin
41. Firing pin lock
42. Lock spring
43. Barrel
44. Recoil spring guide
45. Securing pin
46. Firing pin spring
47. Recoil spring
48. Magazine assy
49. Magazine body
50. Follower spring
51. Follower
52. Magazine bottom lock
53. Magazine bottom
54. Loaded chamber indicator
55. Securing pin
56. Spring
57. Belt holder



For cal. 40 S&W

38. Slide 39. Extractor 43. Barrel
49. Magazine body 51. Follower



LIMITED PARTS REPLACEMENT WARRANTY

The enclosed firearm is warranted to be free of manufacturing defects for a period of one year from the original date of purchase from a federally licensed firearms retailer. The warranty only applies to the first retail purchaser and is not transferable or assignable. Proof of purchase must be pre-sented at the time any warranty claim is made. This is a one year warranty limited to replacement of improperly manufactured parts.

Any alternations, modifications, abuse, misuse or discharge of poor quality, corrosive or defective ammunition voids the warranty. If your weapon needs servicing, apply to one of the service shops authorized by your dealer. Do not send your weapon directly to the manufacturer!

REGISTER ONLINE TODAY!

To activate your warranty, please register your firearm at

www.zastavaarmsusa.com

right after purchase.

RETURN AUTHORIZATION

To obtain warranty service, please contact us at warranty@zastavaarmsusa.com to get a return authorization. Please note that a return authorization must be obtained prior to returning the firearm.

ZASTAVA ARMS USA

55 Bradrock Dr. Des Plaines, IL 60018 USA
847-250-9727

info@zastavaarmsusa.com
www.zastavaarmsusa.com





Zastava
a r m s



Manufactured by:

ZASTAVA ORUŽJE AD
Kosovska 4
34 000 Kragujevac, Serbia
ph: +381 34 301 137
fax: +381 34 335 349
office@zastava-arms.rs
www.zastava-arms.rs

Imported by:

ZASTAVA ARMS USA
55 Bradrock Dr.
Des Plaines IL,
USA
ph: +1 847-250-9727
info@zastavaarmsusa.com
www.zastavaarmsusa.com

